

APG100 Active pirani vacuum gauge

Edwards APG100 series Active Pirani vacuum gauges are available in 2 models. The APG100-XM is the standard model and measures to 10^{-3} mbar. The APG100-XLC is a corrosion resistant version with measurement to 10^{-4} mbar.

Both gauges feature compact size for easy installation, a linear output, and a replaceable sensor tube. The new gauges are compatible with all Edwards TIC instrument controllers and other Active gauge controllers and displays. They are also CSA, C/US approved as well as fully RoHS compliant due to their lead-free construction.



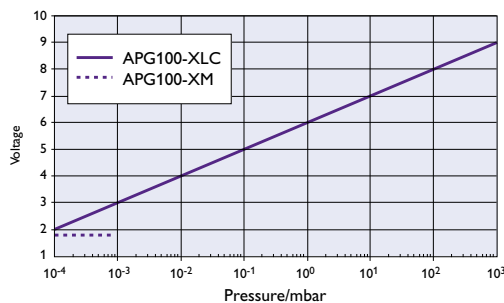
Features and benefits

- Cable connections and gauge adjustment conveniently located, thereby minimising the space envelope required for access
- Sensor tube can be baked to 150 °C
- Adjustable set-point for simple process control and interlocking
- Remote calibration possible
- Linear output - 1 Volt per decade for easy interface with vacuum control systems
- NW16 and NW25 flange options for easy connection to vacuum systems – other flange options on request
- LED status indicator shows normal and fault conditions
- CSA, C/US Approved

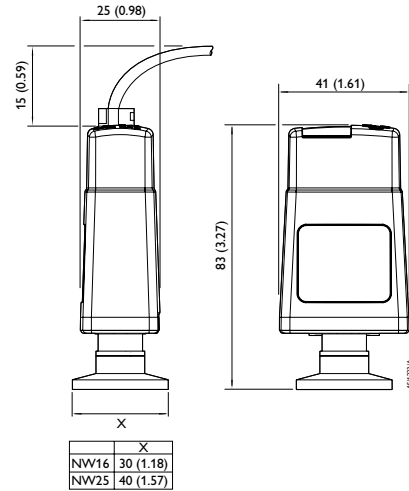
Technical data

Mass	
NW16 version	85 g
NW25 version	100 g
Internal volume	5 cm ³
Enclosure rating	IP40
Performance, operating and storage conditions	
Measurement range	
APG100-XM	Atmosphere to 10 ⁻³ mbar
APG100-XLC	Atmosphere to 10 ⁻⁴ mbar
Accuracy	
APG100-XM	Typically +/- 15% at <100 mbar
APGX100-XLC	Typically +/- 15% at <10 mbar
Maximum over-pressure	10 bar absolute
Temperature range	
Operating	5° to 60°C
Storage	30° to 70°C
Bake-out with electronics removed	150°C
Humidity	80% RH up to 31 °C decreasing linearly to 50% RH at 40 °C and above
Maximum altitude	3000 m
Filament temperature	100 °C above ambient
Electrical data	
Electrical supply voltage	15 to 30 V dc nominal 13.5 V dc minimum 32 V dc maximum
Power consumption	1 W
Output signal	0 to 10 V dc nominal
Set-point – open collector transistor	
Rating	30 V dc 100 mA
Range of set-point	1.8 to 9.2 V dc
Fixed hysteresis	500 mV (1/2 decade)
Level setting resolution	6 mV

Performance curve



Dimensions - mm (inch)



Ordering information

Active Pirani gauges	Order number
APG100-XM Atmosphere to 10 ⁻³ mbar NW16 flange	D02601000
APG100-XM Atmosphere to 10 ⁻³ mbar NW25 flange	D02602000
APG100-XLC Atmosphere to 10 ⁻⁴ mbar corrosion resistant NW16 flange	D02603000
APG100-XLC Atmosphere to 10 ⁻⁴ mbar corrosion resistant NW25 flange	D02604000
Calibrated gauges	
<i>Gauges are supplied with a certificate of calibration traceable to national standards.</i>	
APG100-XM NW16 + Calibration certificate	D0260100C
APG100-XM NW25 + Calibration certificate	D0260200C
APG100-XLC NW16 + Calibration certificate	D0260300C
APG100-XLC NW25 + Calibration certificate	D0260400C
Spare sensor tubes	
Spare sensor for APG100-XM NW16 flange	D02601801
Spare sensor for APG100-XM NW25 flange	D02602801
Spare sensor for APG100-XLC NW16 flange	D02603801
Spare sensor for APG100-XLC NW25 flange	D02604801
Spare electronic modules	
Spare APG100-XM electronics module	D02601800
Spare APG100-XLC electronics module	D02603800
Spare mesh filter for APG100 pack of 5	D02601805

Global contacts

EUROPE

UK Crawley +44 1293 528844
 UK (local rate) 08459 212223
 Belgium Brussels +32 2 300 0730
 France Paris +33 1 4121 1256
 Germany Munich 0800 000 1456
 Italy Milan +39 02 48 4471

USA

Niagara (toll free) +1 800 848 9800

BRAZIL

Sao Paulo +55 11 3952 5000

ISRAEL

Qiryat-Gat +972 8 681 0633

ASIA PACIFIC

China (toll free) +86 400 111 9618

India, Pune +91 20 4075 2222

Japan, Yachiyo +81 47 458 8831

Korea, Bundang +82 31 716 7070

Singapore +65 6546 8408

Taiwan R.O.C. Jhunan Town +886 3758 1000



WWW.EDWARDSVACUUM.COM

info@edwardsvacuum.com

Publication Number: D02601895, Issue C
 © Edwards Limited 2013. All rights reserved.
 Edwards and the Edwards logo are trade marks of Edwards Limited.